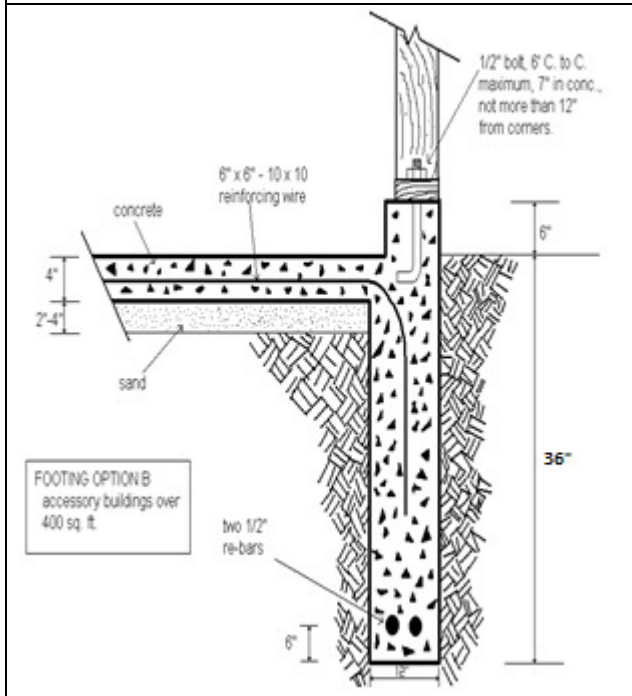
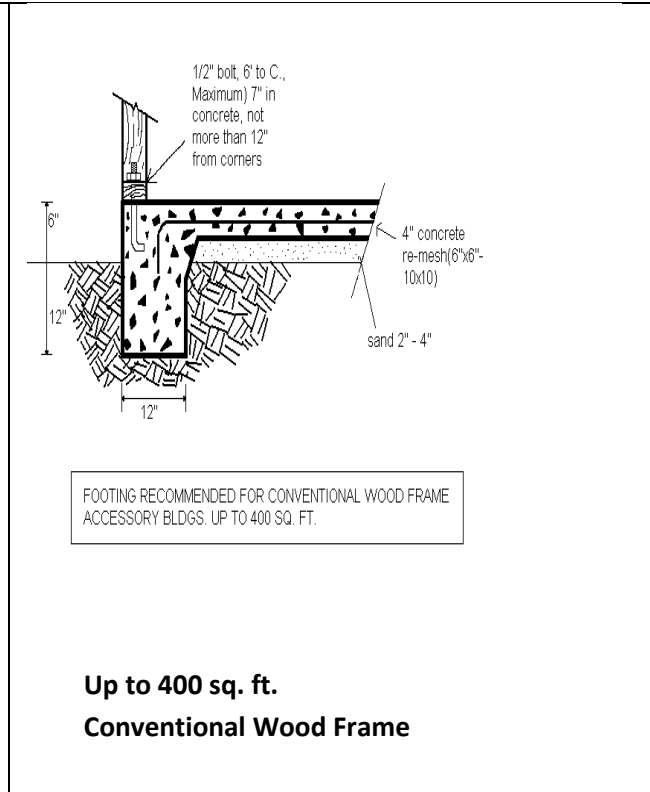
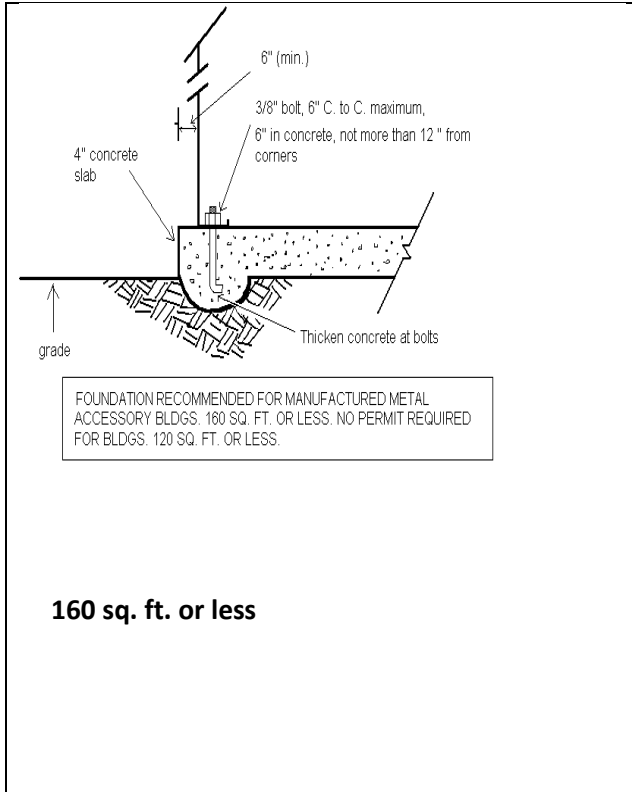
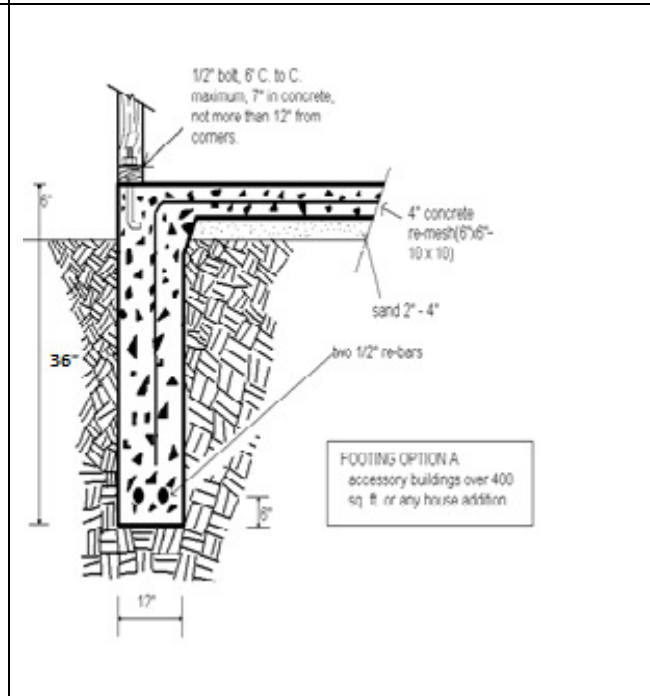


FOUNDATION DRAWINGS



Accessory Buildings over 400 sq. ft.



Accessory Buildings over 400 sq. ft.
OR any house addition