

UTILITIES DEPARTMENT

Martha Tasker, Director of Utilities

300 West Ash · P.O. Box 736
Salina, Kansas 67402-0736



TELEPHONE · (785) 309-5725
FAX · (785) 309-5713
TDD · (785) 309-5747
E-MAIL · martha.tasker@salina.org

WEBSITE · www.salina-ks.gov

Updated: October 14, 2021

TO: Area Plumbing Contractors
FROM: Martha Tasker, Director of Utilities
SUBJECT: Water Meter Setting Standards
Approved Materials List
Recommended Irrigation Details

Attached to this memo are standard drawings showing details of corporation stops, curb cocks, meter tiles, meter setters, meter box covers, meter adaptor extension rings, valves, roadway boxes, placement of meter boxes/lids in pavement, etc. This revised set of standards supersedes previous Meter Settings Standards, dated October 13, 2014.

RESIDENTIAL WATER METERS

- ◆ All new residential meter setter/pits to be located in City right-of-way or in a utility easement.
- ◆ The City Water Utility Division shall be responsible for installing piping from the curb stop to the meter setter/pit.
- ◆ Before the new water service is turned on the customer shall pay a new meter pit and set fee per the current City of Salina Comprehensive Fee Schedule to Building Services as part of the building permit fee for the new residences.
- ◆ The City Water Utility Division shall coordinate the location of the meter pit with the customer.
- ◆ The plumbing inspector for the City shall approve all plumbing on the private property served by the water service line prior to the service being turned on.

COMMERCIAL/INDUSTRIAL WATER METERS

All commercial/industrial meter settings shall be located outside the building in City right-of-way or in a utility easement, unless approved by the Director of Utilities for inside meter set.

- ◆ Inside meter setters and multiple meter settings shall be approved by the Director of Utilities prior to installation. When a meter is located inside the building, copper or ductile iron waterline must be installed from the building to the curb stop. Plastic piping will not be allowed in front of the meter.
- ◆ Meters can not be installed in locations that are not readily accessible. The meter must not be located in crawl spaces, above ceilings, behind locked doors, etc. Ready access is not available if maintenance or inspection of the meter requires obstacle removal, the use of portable ladders or chairs, panel removal, etc.

There shall be no connection, valves, drains, backflow valves or other attachments located inside the meter pit.

If you have any questions concerning the attached standards or the approved materials listings for the above items, please contact me at (785)309-5725.

Attachments: Approved Materials List
Water Meter Setting Standards
Recommended Irrigation Details

Water Treatment Plant ◆ Wastewater Treatment Plant ◆ Water Distribution ◆ Wastewater Collection

Our Mission is to provide safe, reliable and high quality water and wastewater systems with superior service and value.

Approved Materials List

ITEM AND STOCK NUMBERS

CURB AND ROADWAY VALVE BOXES

Tyler 6500 Series	92-C 93-D 93-E 95-E	30" - 39" curb box 36" - 48" curb box 36" - 54" curb box 41" - 64" curb box
Tyler 6500 Series	152-Ext.	16" curb box extension
Trumbull	T-374	2 1/2" curb box repair lid
Bingham & Taylor (1-1/2" & 2" curb stop)	GCI 142- Q 142-R 143-R 144-R 144-RR	24" - 30" roadway box 27" - 39" roadway box 34" - 38" roadway box 39" - 54" roadway box 39" - 60" roadway box
Tyler 6850 Series		Main line valve box

METER TILES

SDR 51	24"X 30"	PVC meter tile
Mid-States	36"X 30"	Galvanized or PVC meter tile

METER TILE – LIDS AND EXTENSION RINGS

Tyler	6150 – TR	18" Ring & lid, TR, B/L
SIP Industries Ford	6471 Ext-1	18" X 24" meter tile adaptor ring
SIP Industries Ford	6472 Ext-3	18" X 30" meter tile adaptor ring
SIP Industries	6470	18" X 36" meter tile adaptor ring
Mueller	790438	18" X 36" meter tile adaptor ring
Mueller	700098	Meter Box frame for 18" lid – concrete
Mueller	780113	18" TR lid w/side lock-pent - concrete

*** OUTSIDE METER SETTERS AND RESETTERS**

Mueller	B-2474N	1" mtr cplg x 1" comp setter w/size adaptors as necessary
Ford	VB84W-44-44-Q-NL	
AY McDonald	Series 731	

*** CURB VALVES**

Mueller	H-10291N	F.I.P. Oriseal curb valve
---------	----------	---------------------------

*** COMPRESSION FITTINGS**

Mueller	110-Compression	CTS Compression Fitting
Ford	C-44-44Q	CTS Compression Fitting
AY McDonald	Q-McQuick	CTS Compression Fitting

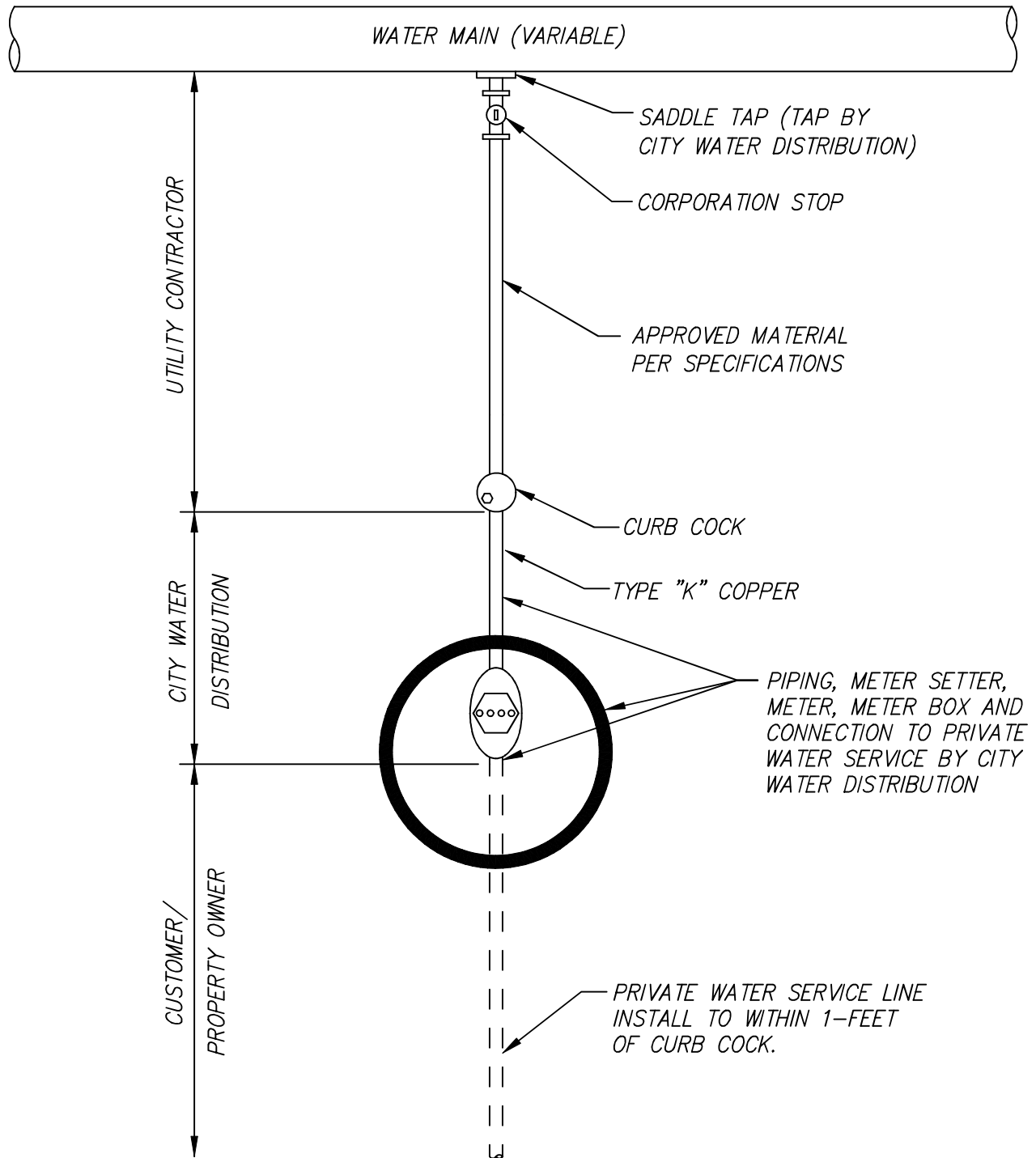
TAPPING SLEEVES

Mueller	H-304	Stainless steel tapping sleeve
Smith-Blair	663, 665	Stainless steel tapping sleeve
Ford	FTSS	Stainless steel tapping sleeve

TAPPING VALVES / MAIN LINE ISOLATION VALVES

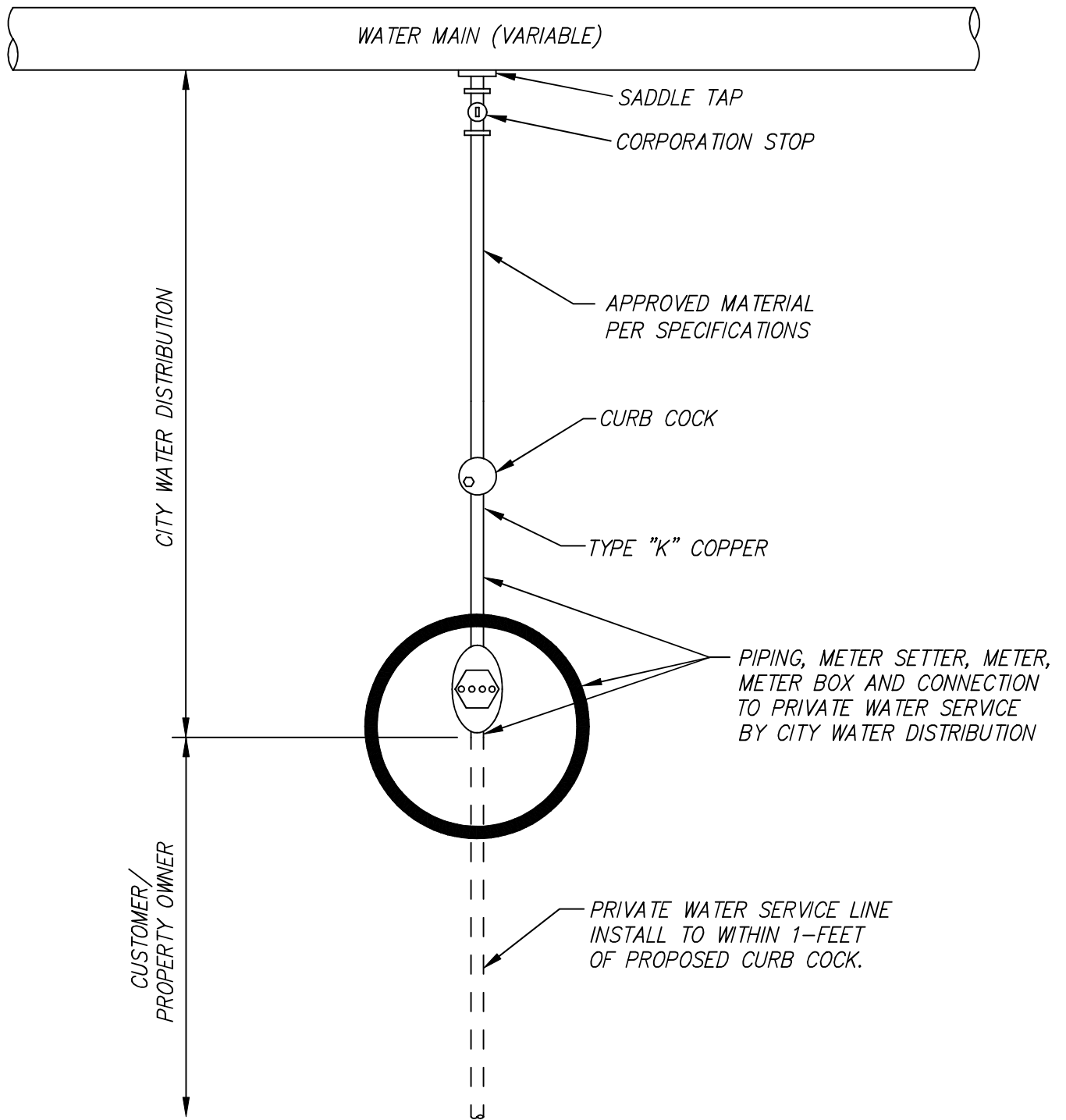
Mueller	Iron Body AWWA C509 or C515	Resilient Wedge Gate Valve
AVK	Iron Body AWWA C509 or C515	Resilient Wedge Gate Valve
American Flow Control	Iron Body AWWA C509 or C515	Resilient Wedge Gate Valve
Clow	Iron Body AWWA C509 or C515	Resilient Wedge Gate Valve

* All Fittings Shall be Lead Free.



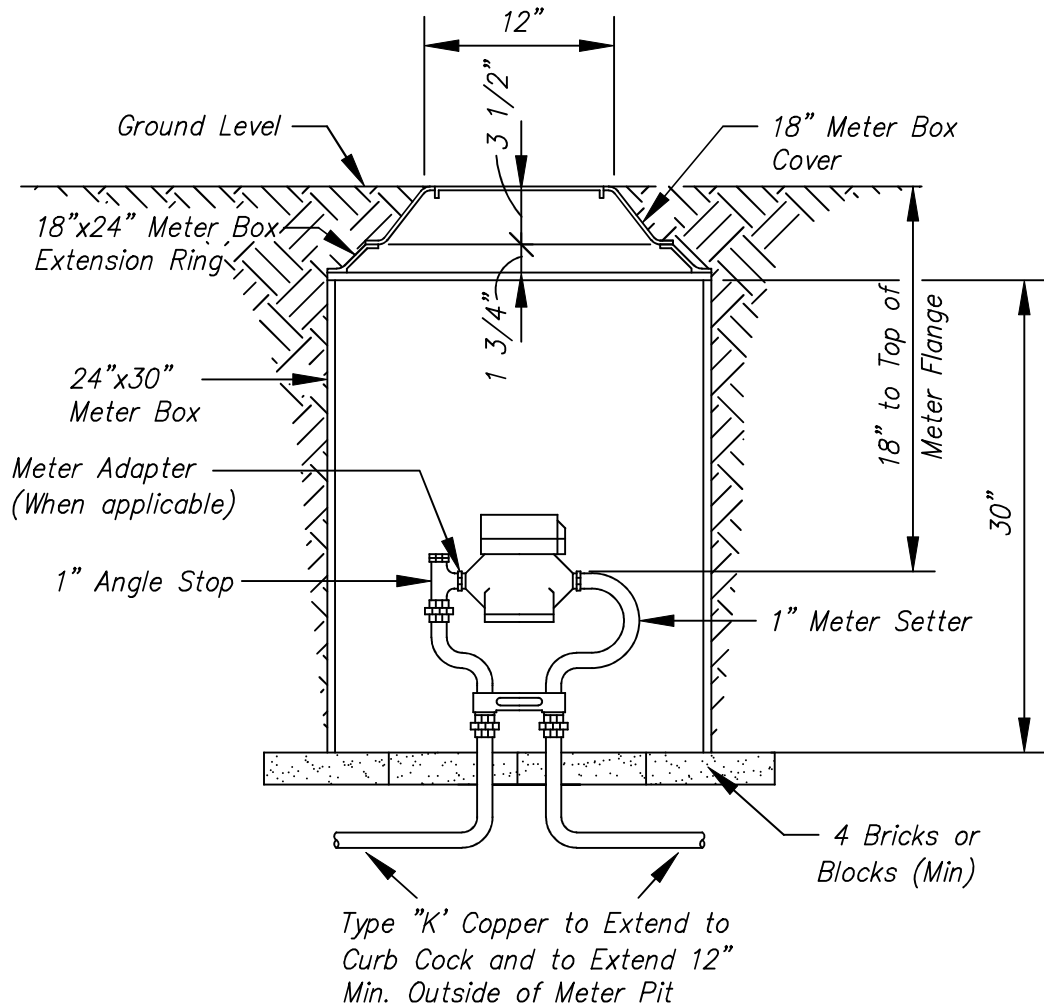
RESIDENTIAL
NEW METERS
 Not to Scale 02029.DWG

Oct. 2024



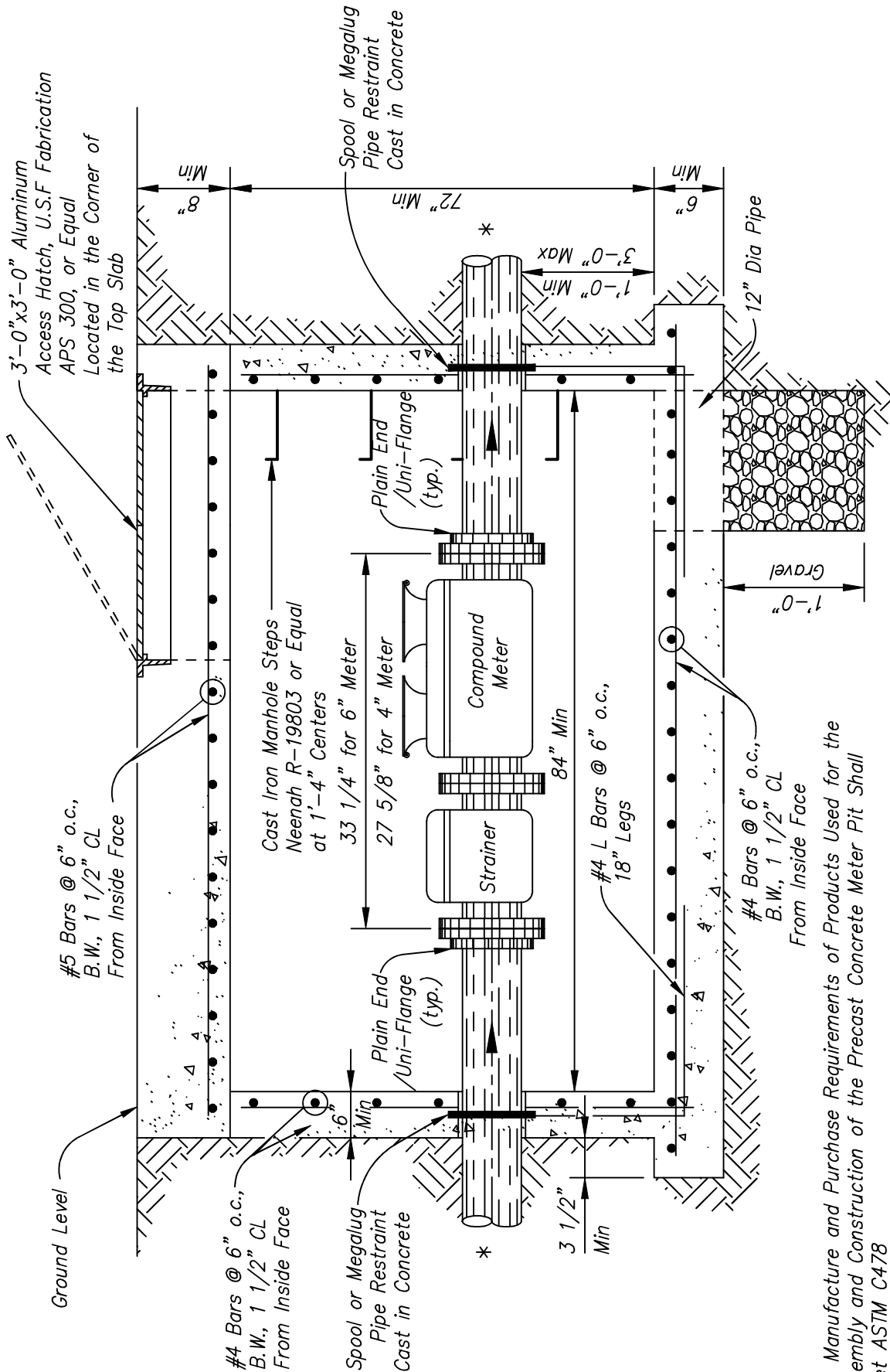
RESIDENTIAL
EXISTING METERS
Not to Scale 02030.DWG

Oct. 2024



5/8", 3/4", & 1" METERS
 Not to Scale 02018.DWG

Oct. 2024



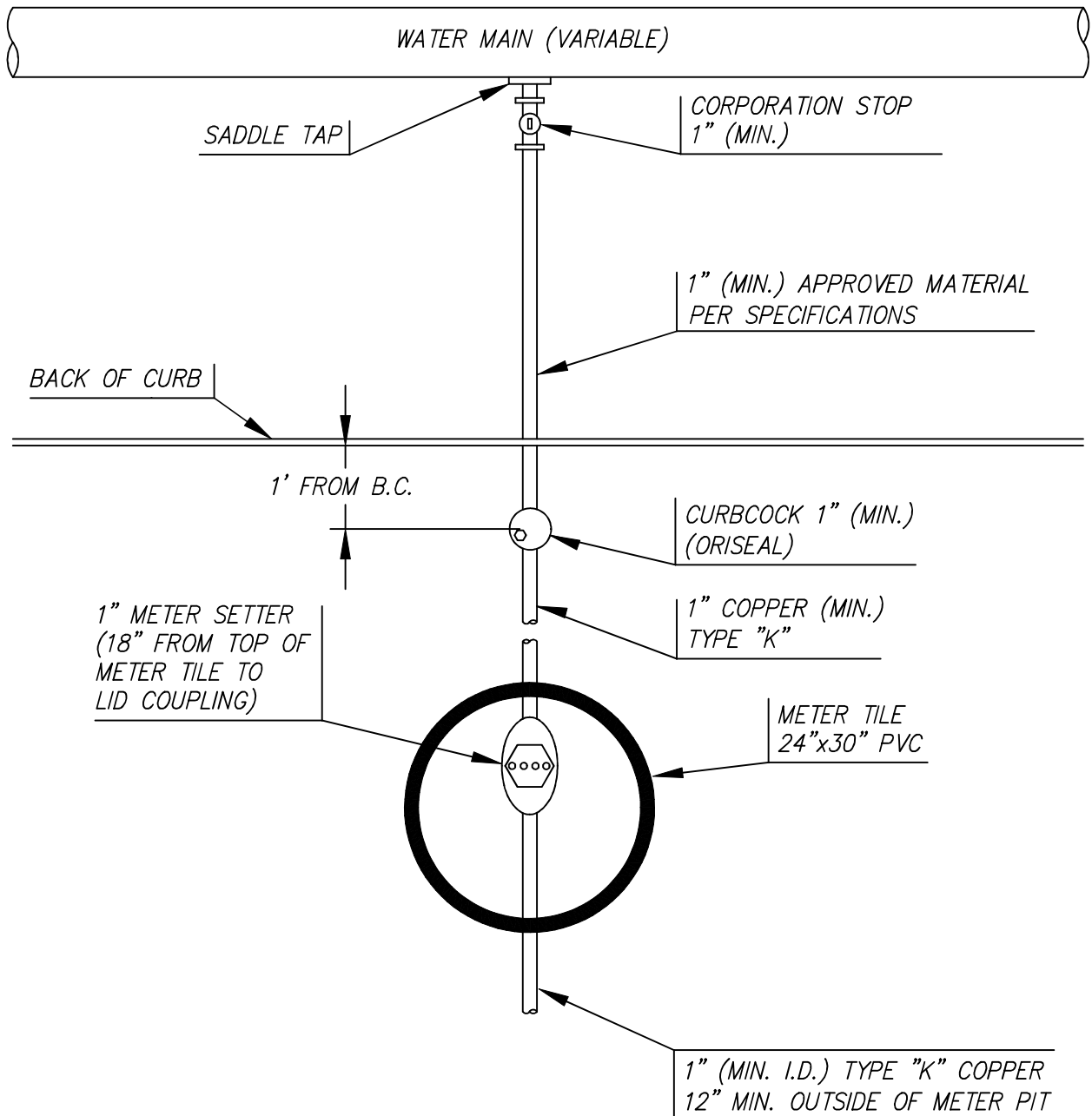
Install 4" or 6" AWWA Gate Valve/Box on
Both Inlet and Outlet Side of Meter

COMMERCIAL / INDUSTRIAL
4" & 6" METER
02031.DWG
Not to Scale

MINIMUM DIMENSIONS:
LENGTH INSIDE TO INSIDE OF WALLS = 84"
WIDTH INSIDE TO INSIDE OF WALLS = 48"
HEIGHT TOP OF FLOOR TO GROUND LINE = 80"

The Manufacture and Purchase Requirements of Products Used for the
Assembly and Construction of the Precast Concrete Meter Pit Shall
Meet ASTM C478

Oct. 2024

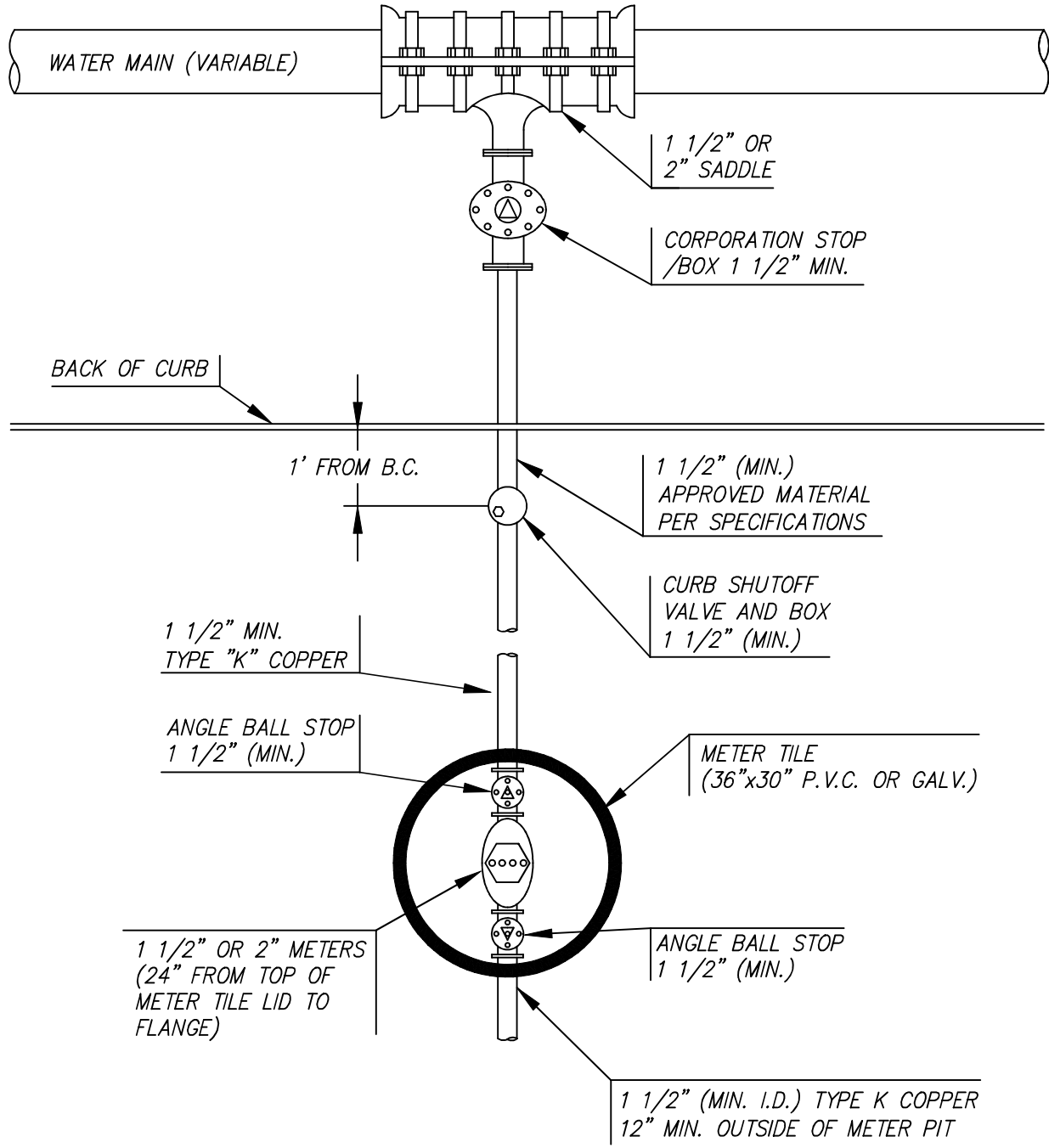


STANDARD FOR 5/8", 3/4", & 1" METER SETTINGS

Not to Scale

02003.DWG

Oct. 2024

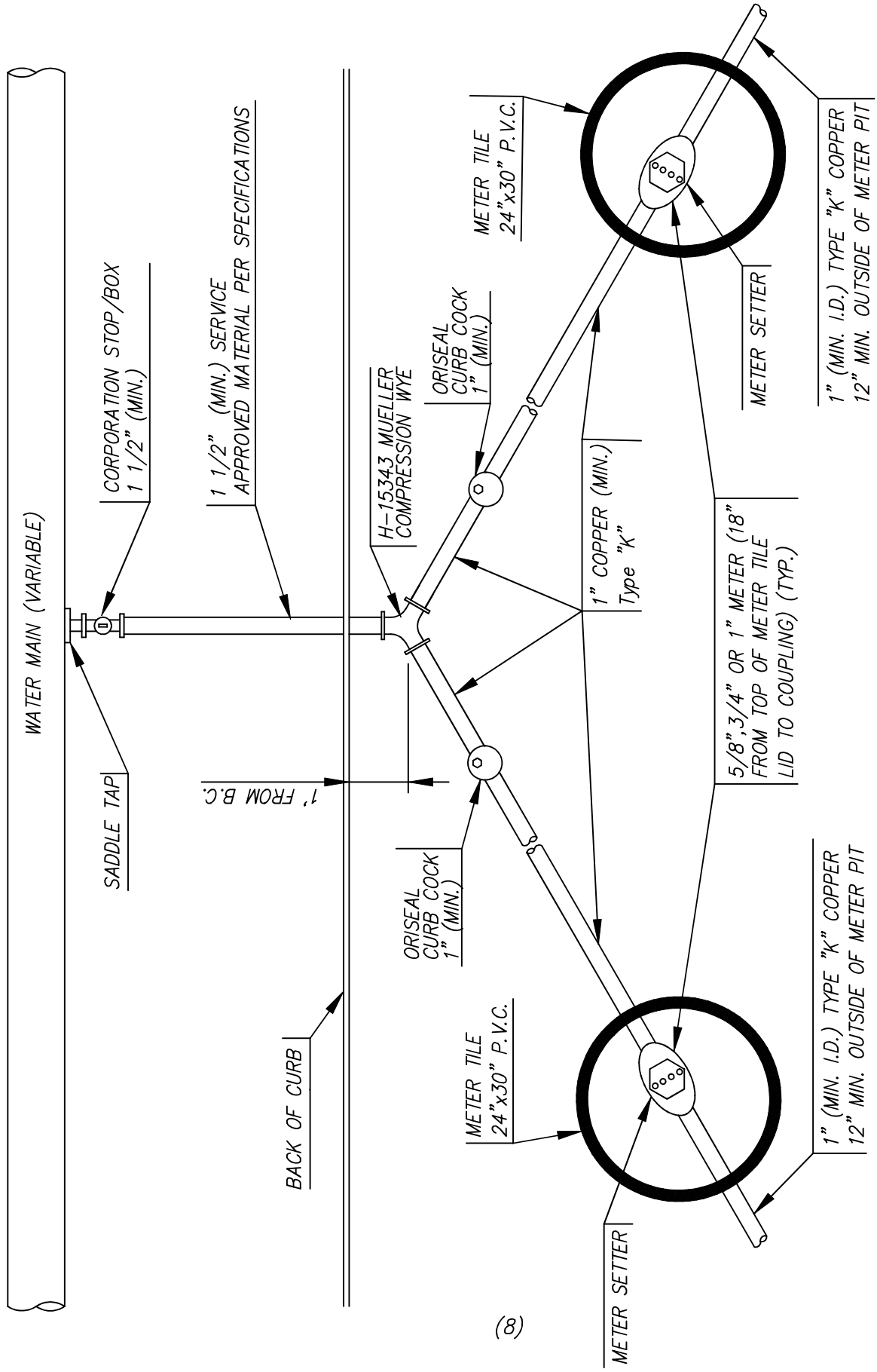


STANDARD FOR 1 1/2" & 2" METER SETTINGS

Not to Scale

02004.DWG

Oct. 2024

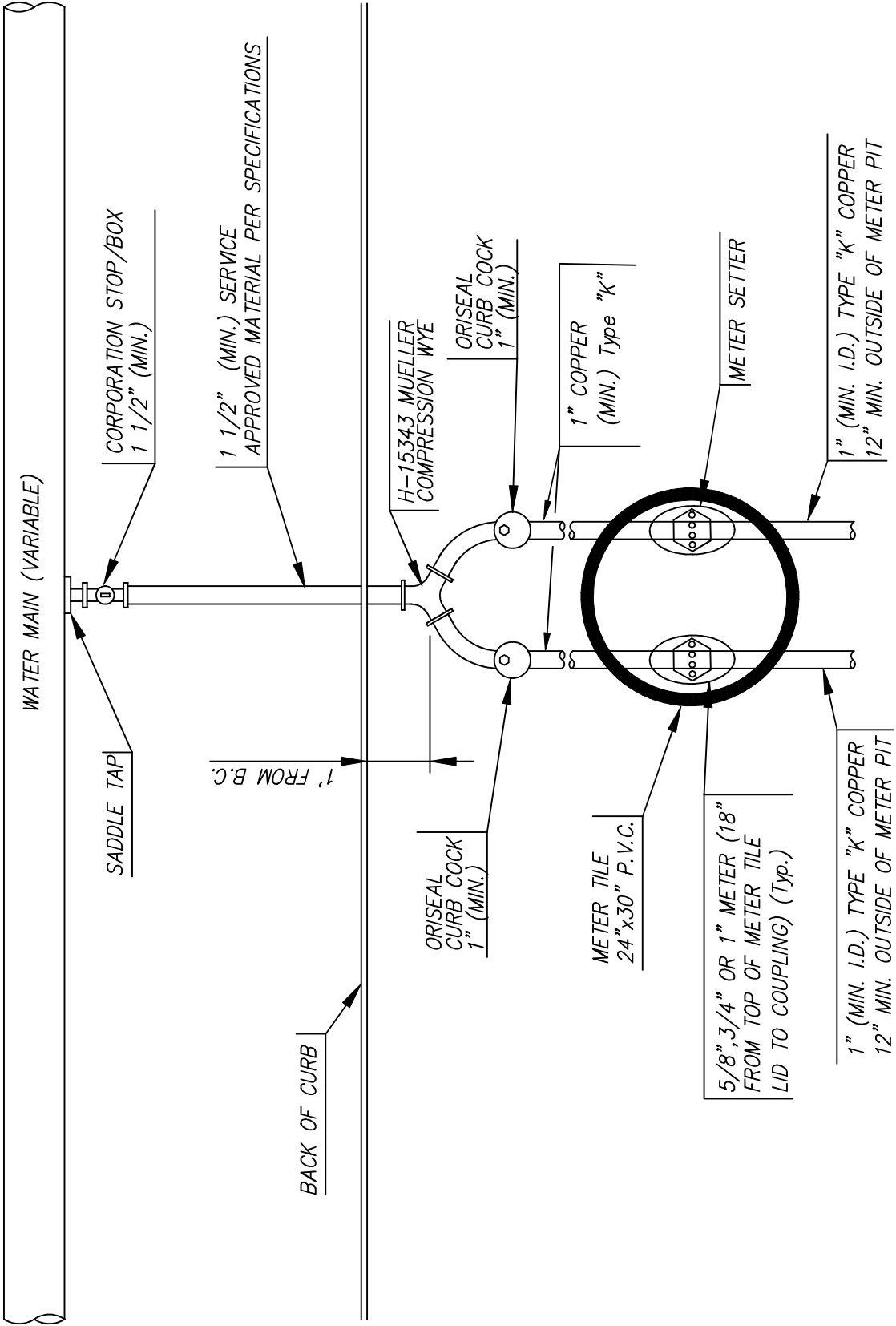


STANDARD FOR "Y" BRANCH 5/8", 3/4", & 1" MULTIPLE METER SETTINGS

Not to Scale

02006.DWG

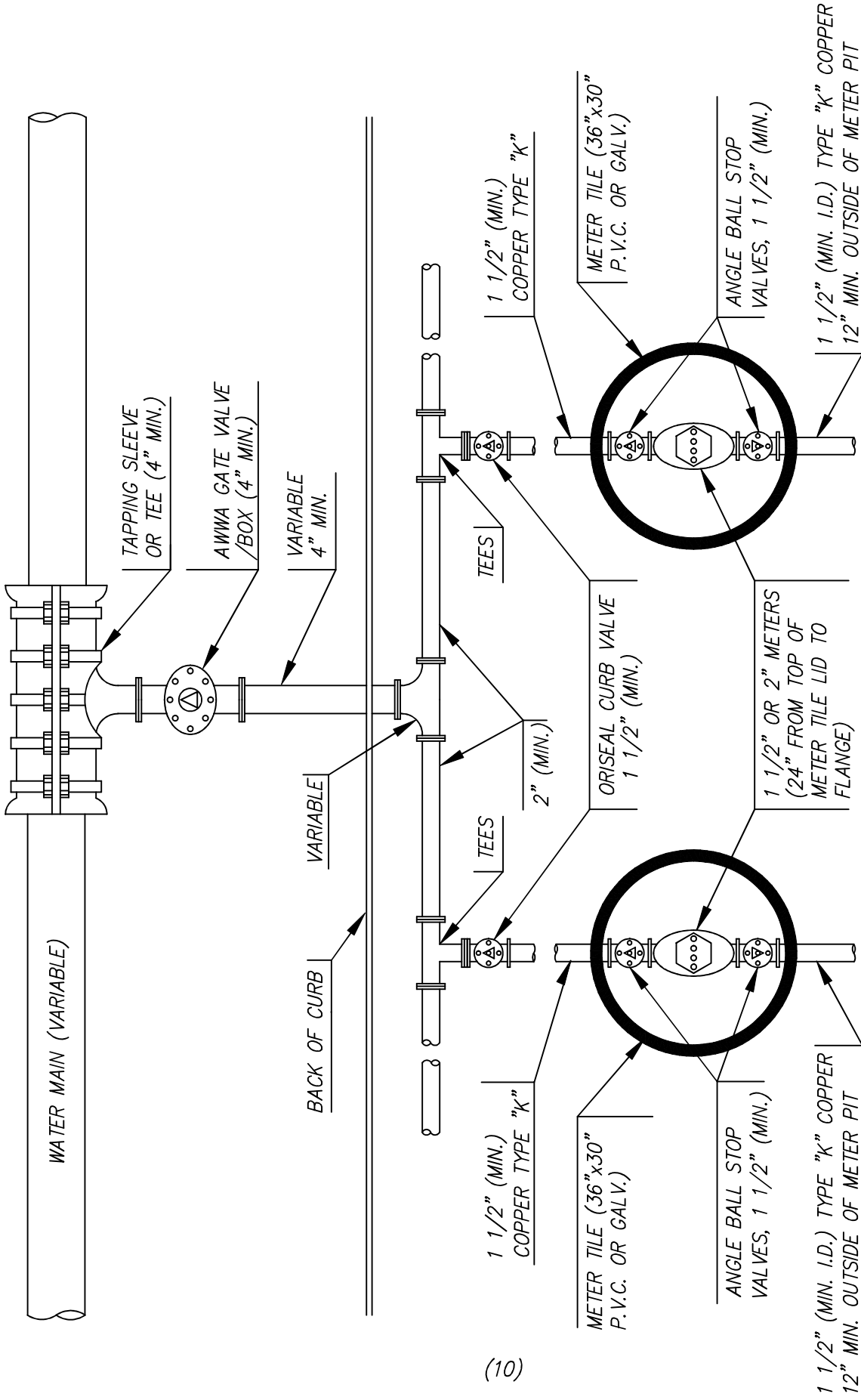
Oct. 2024



STANDARD FOR TWO 5/8", 3/4", & 1" METERS IN ONE METER PIT

02006.DWG
Oct. 2024

Not to Scale



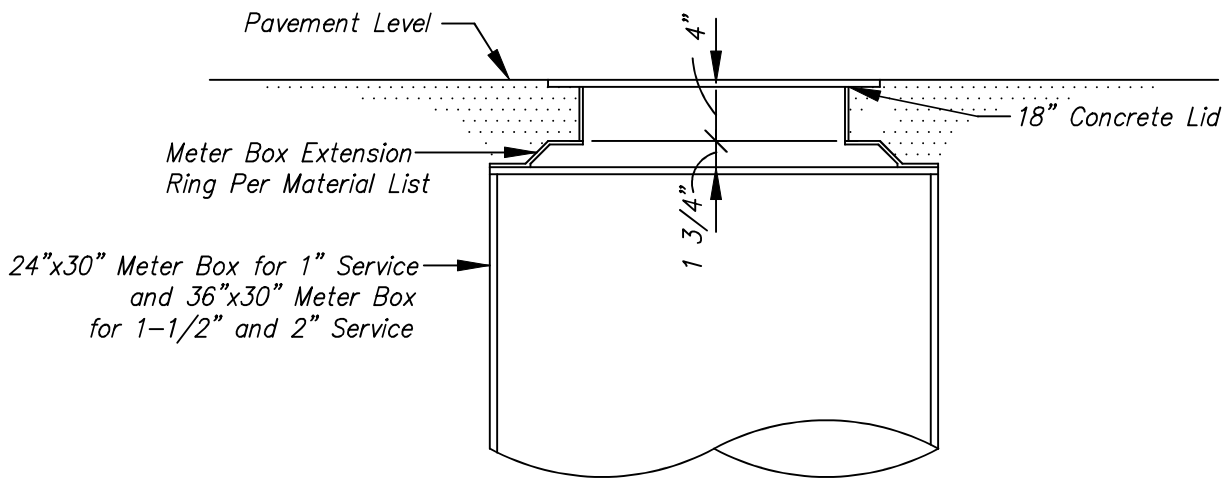
(10)

STANDARD FOR 1 1/2" AND 2" MULTIPLE METER SETTINGS

Not to Scale

02005.DWG

Oct. 2024

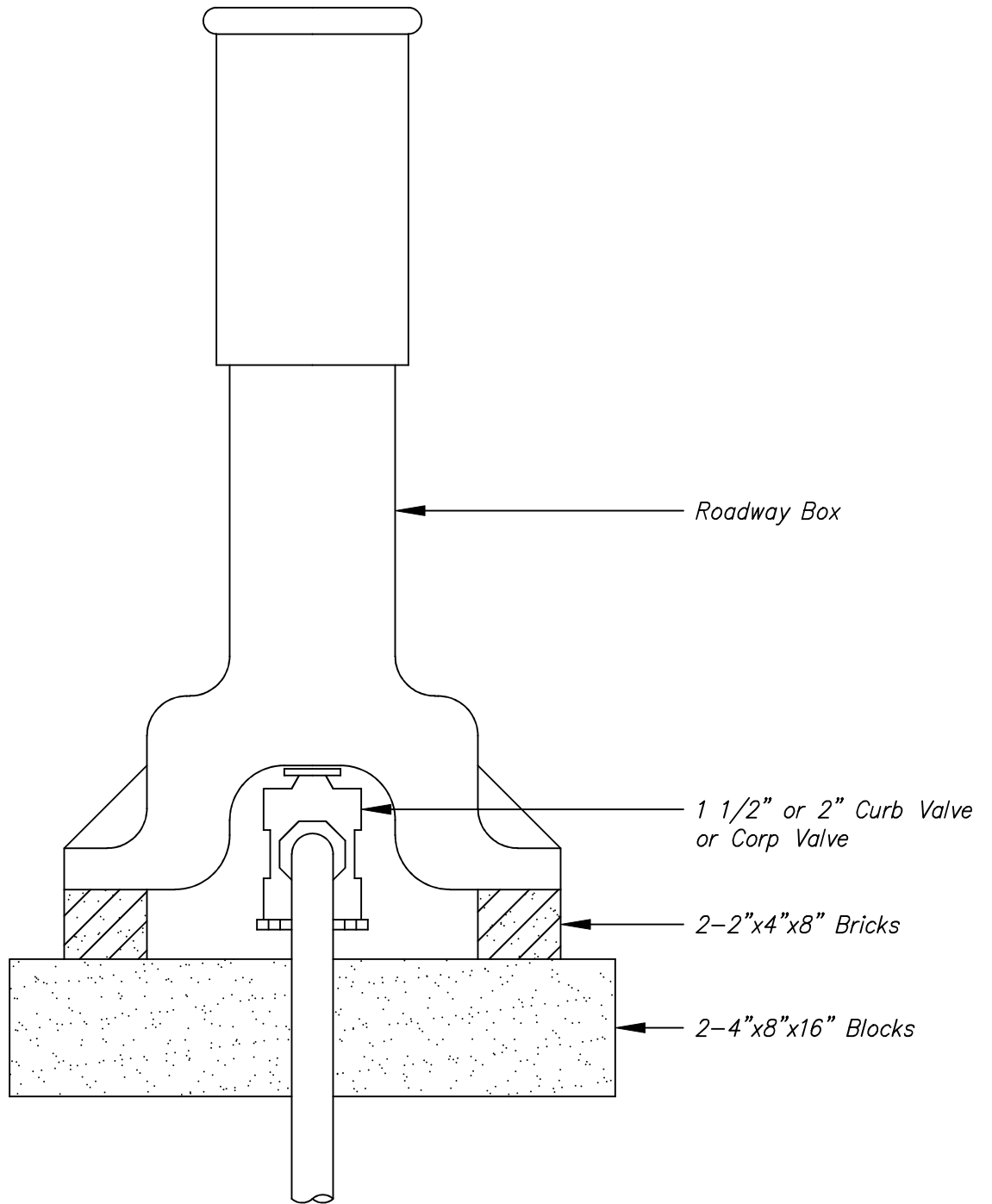


SET IN CONCRETE OR ASPHALT PAVED AREA

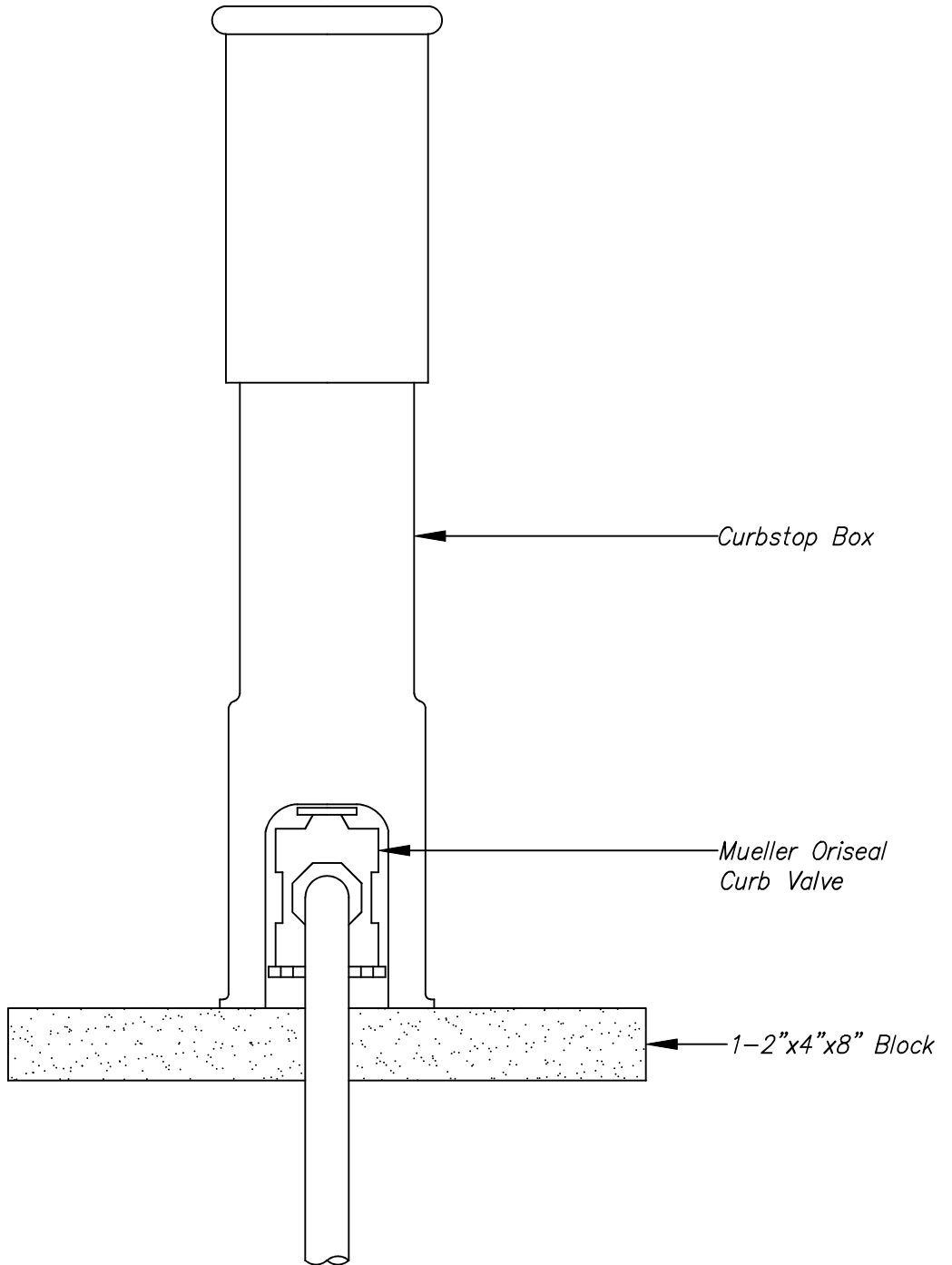
Not to Scale

02021.DWG

Oct. 2024

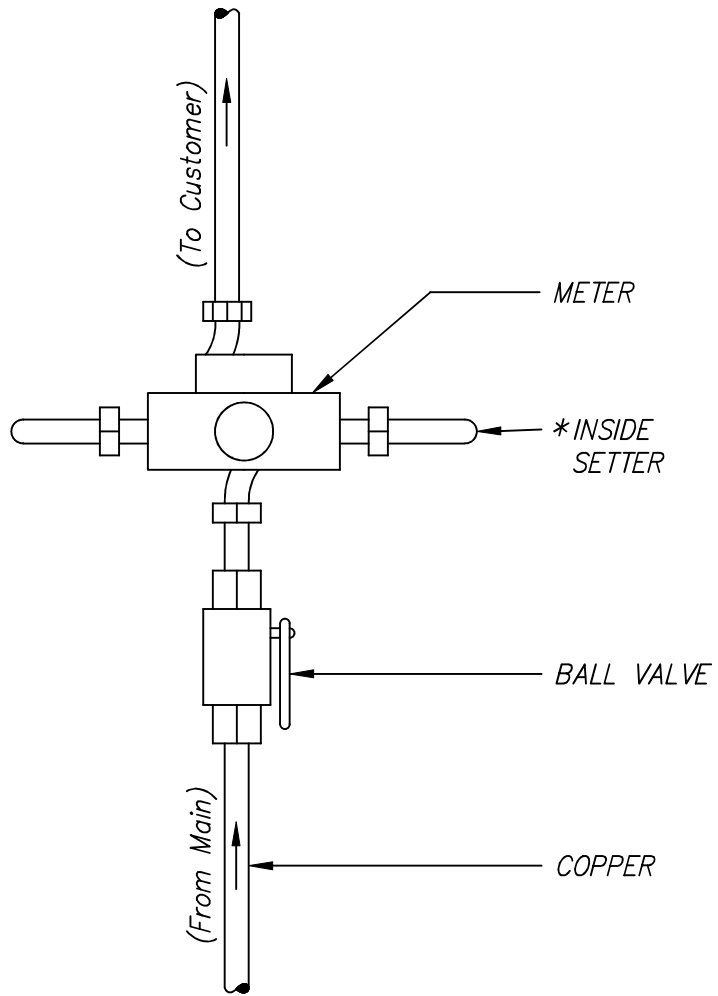


ROADWAY BOX
Not to Scale 02022.DWG



CURB BOX
Not to Scale 02034.DWG

Oct. 2024

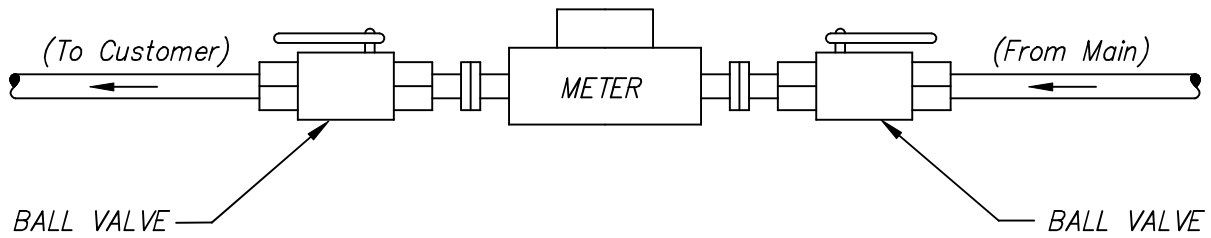


**SEE PAGE 2 & 3 OF APPROVED MATERIALS LIST.*

APPROVAL REQUIRED BY UTILITIES DIRECTOR

INSIDE SETTERS – 5/8", 3/4" & 1" METER
Not to Scale 02023.DWG

Oct. 2024



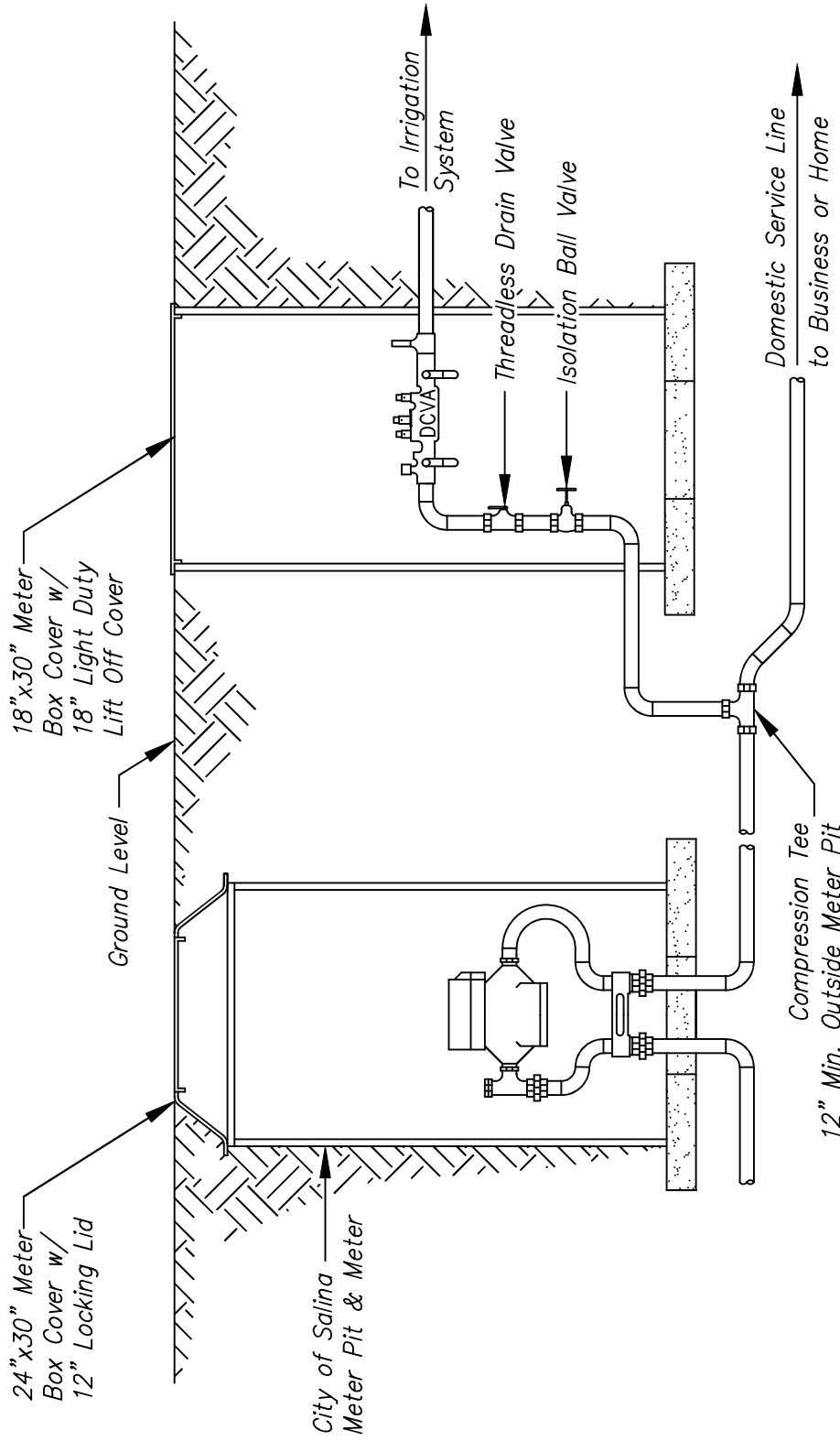
NOTE:
 Only Brass Meter Flanges shall be used in the Fabrication of Meter Sets for 1 1/2" & 2" Meters.

NOTE:
 Provide Adequate Weight Support for 1 1/2" & 2" Meters.

APPROVAL REQUIRED BY UTILITIES DIRECTOR

COMMERCIAL / INDUSTRIAL
 INSIDE SETTERS — 1 1/2" & 2" METER
 Not to Scale 02024.DWG

Oct. 2024

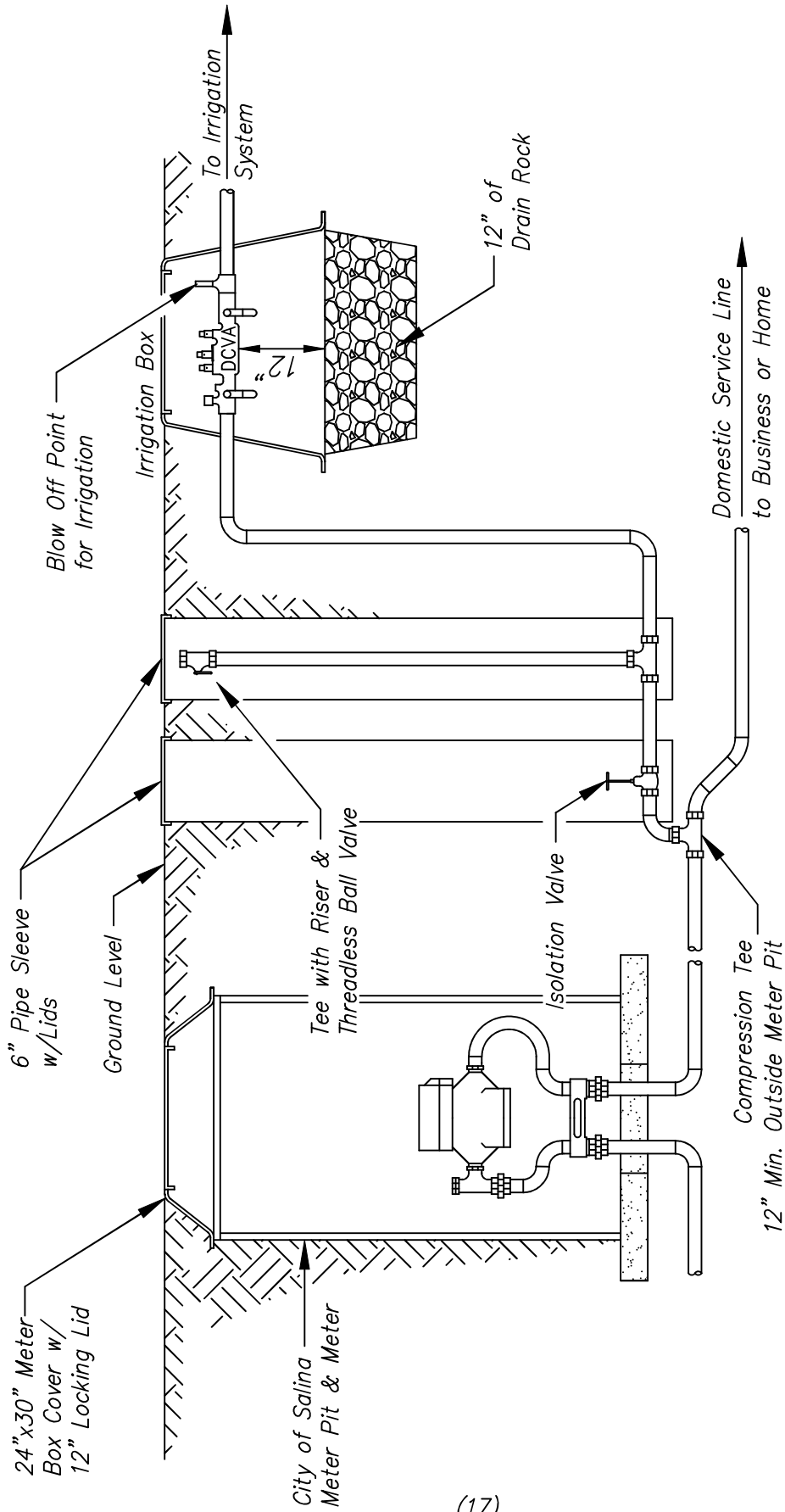


02032.DWG

RECOMMENDED
IRRIGATION DETAILS — OPTION 1

Not to Scale

Oct. 2024



RECOMMENDED
 IRRIGATION DETAILS — OPTION 2

02033.DWG

Not to Scale